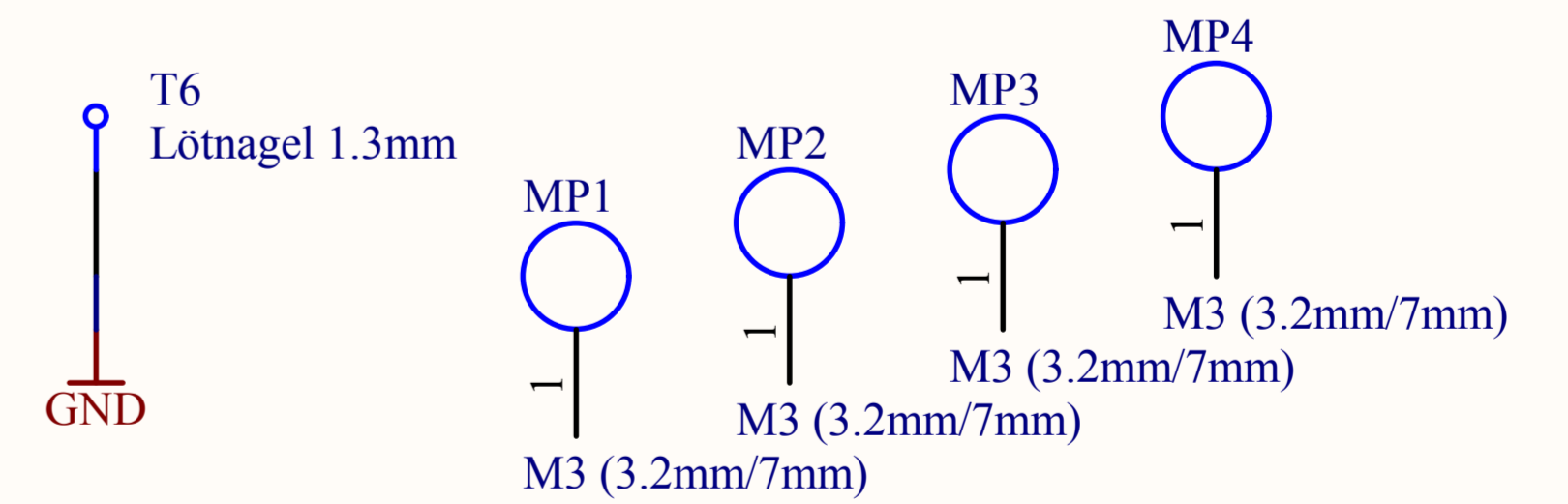
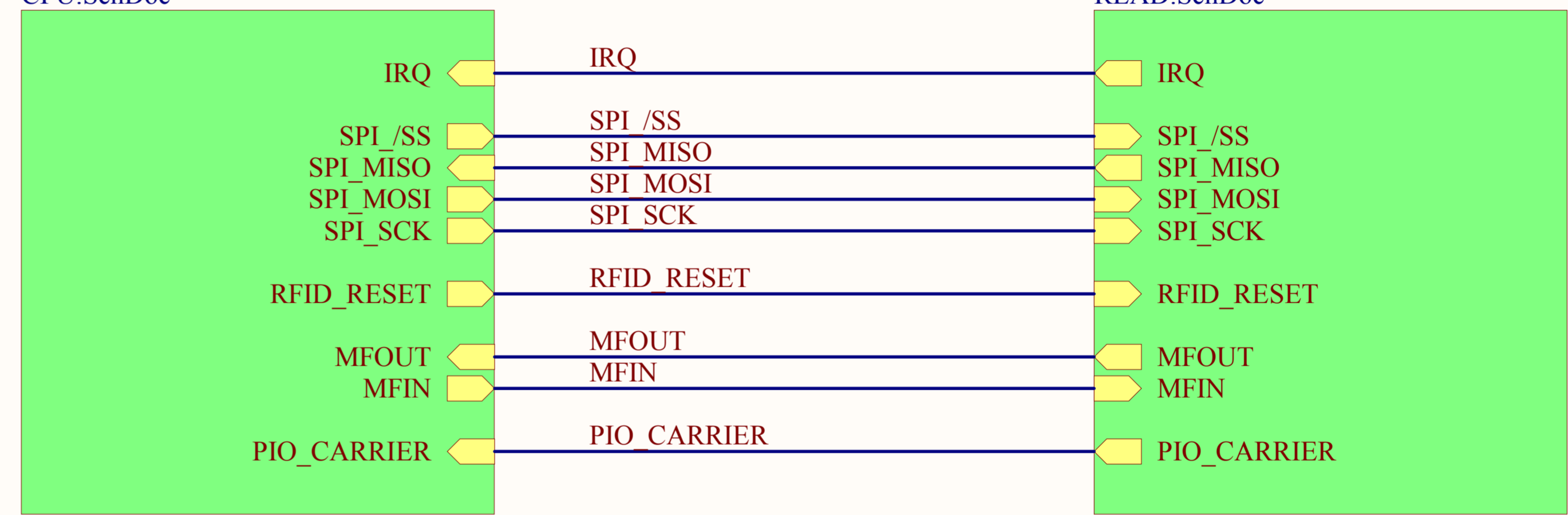

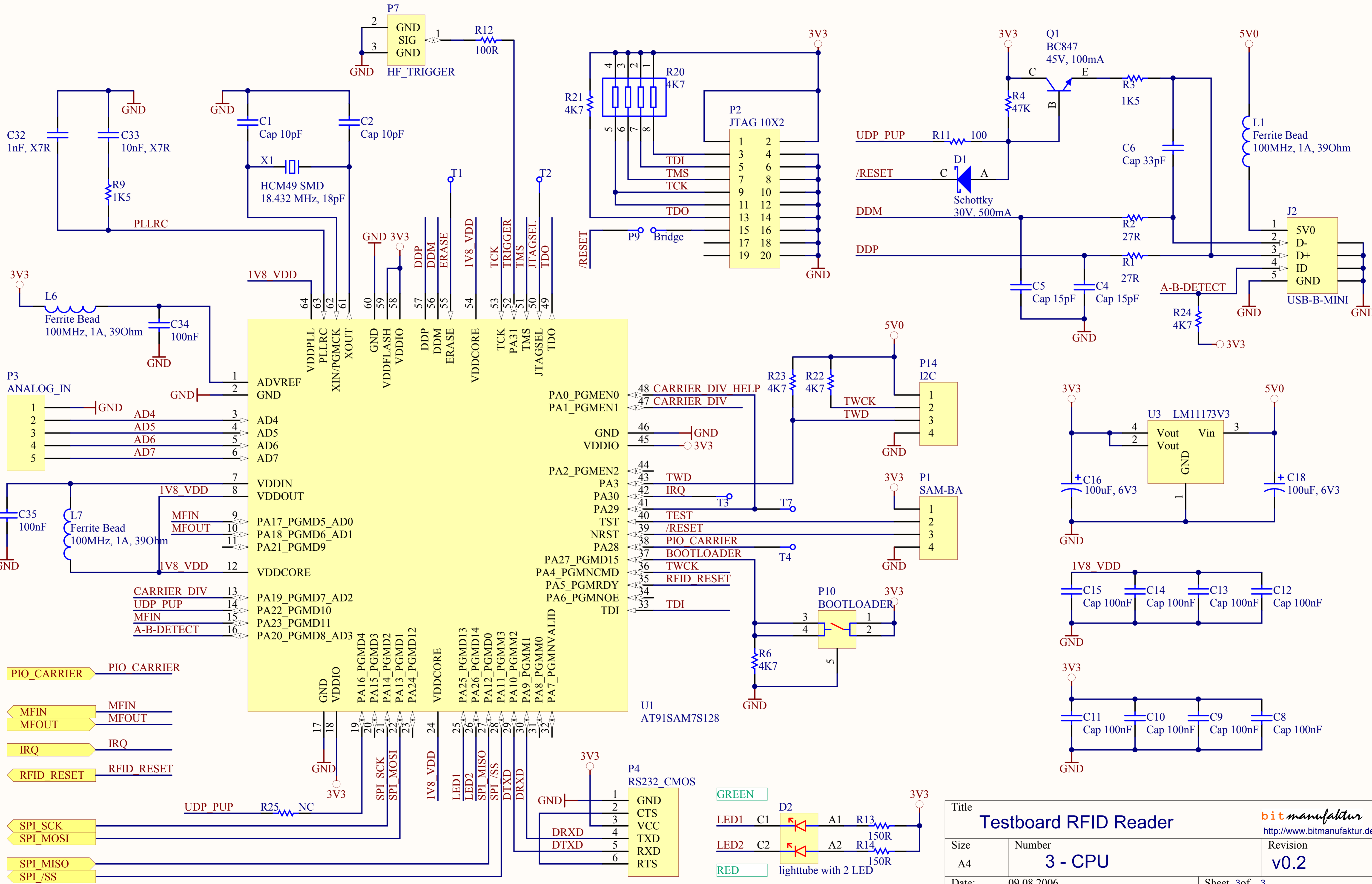


U_CPU
CPU.SchDoc

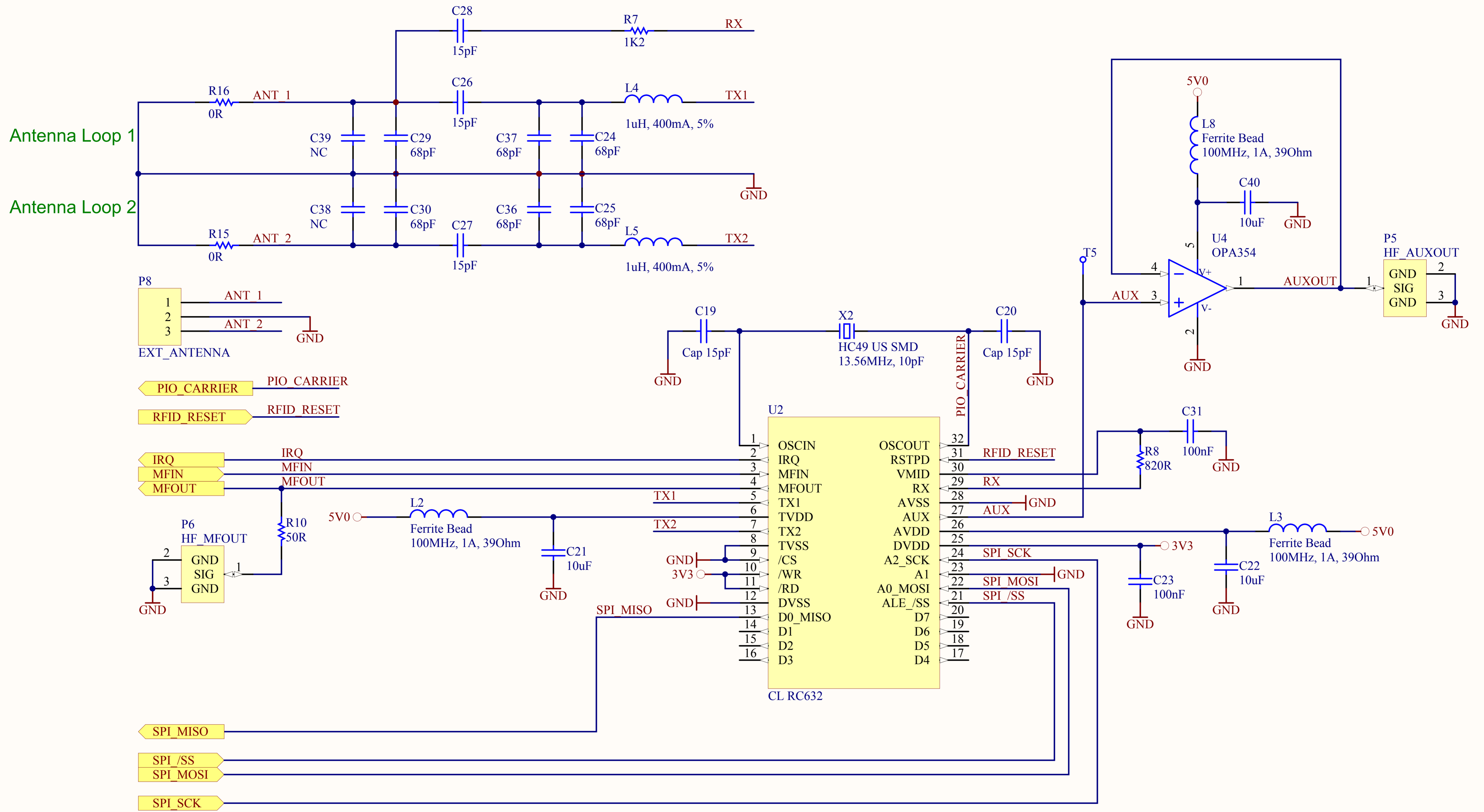
U_READ
READ.SchDoc



Title		Testboard RFID Reader		 http://www.bitmanufaktur.de	
Size	A4	Number	1 - TOP		Revision
Date:	09.08.2006	Sheet 1 of	3		v0.2
File:	H:\Projekte\...\TOP.SchDoc		Drawn By:	Dipl.-Ing. Brita Meriac	



Title		Testboard RFID Reader	
Size		Number	
A4		3 - CPU	
Date:		09.08.2006	Sheet 3of 3
File:		H:\Projekte\...CPU.SchDoc	Drawn By: Dipl.-Ing. Brita Meriac
		Revision	
		v0.2	



Title		Testboard RFID Reader bit.manufaktur http://www.bitmanufaktur.de
Size	Number	
A4	2 - RFID Reader	Revision v0.2
Date:	09.08.2006	Sheet 2of 3
File:	H:\Projekte\..\READ.SchDoc	Drawn By: Dipl.-Ing. Brita Meriac