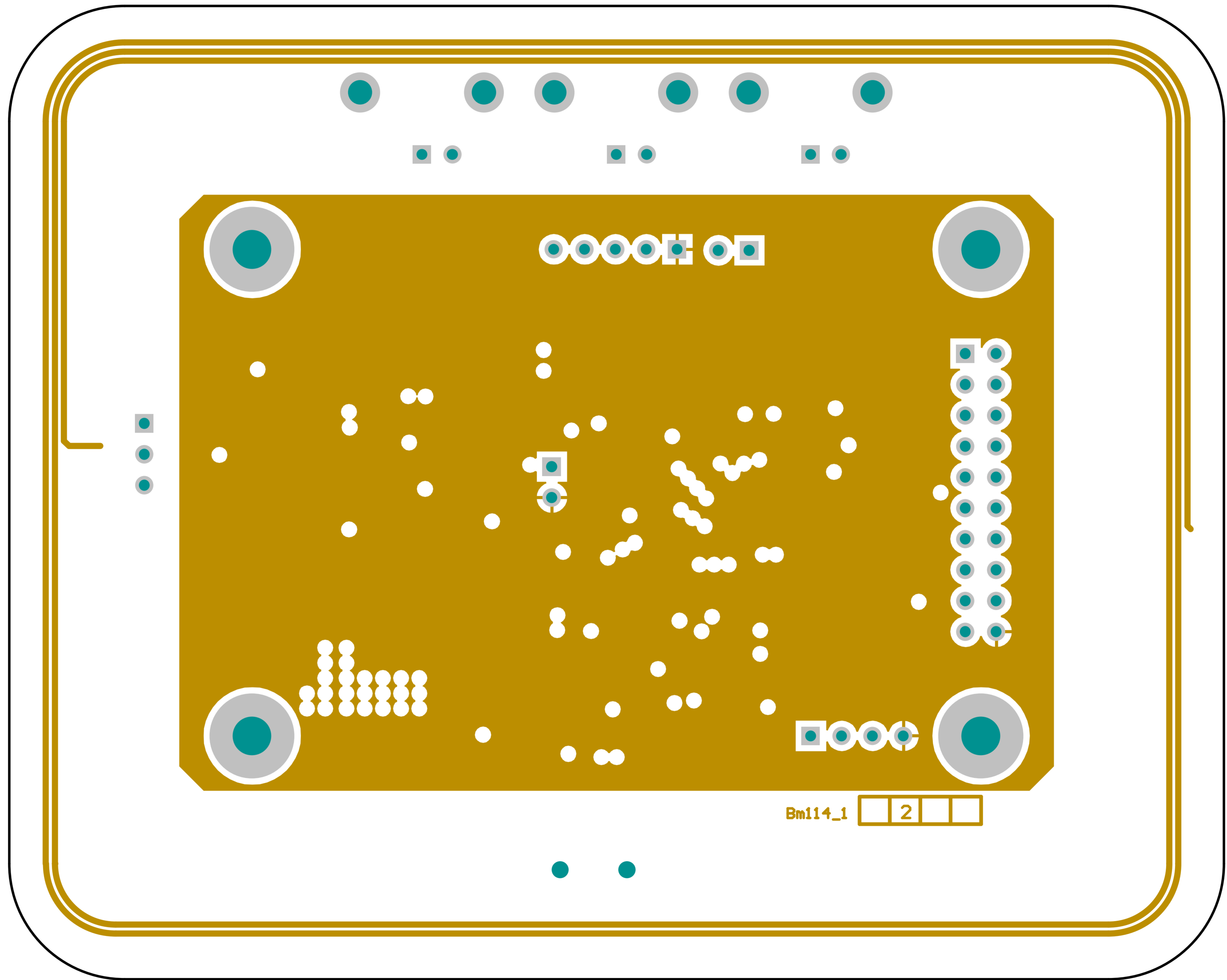


RFID-READER v0.1

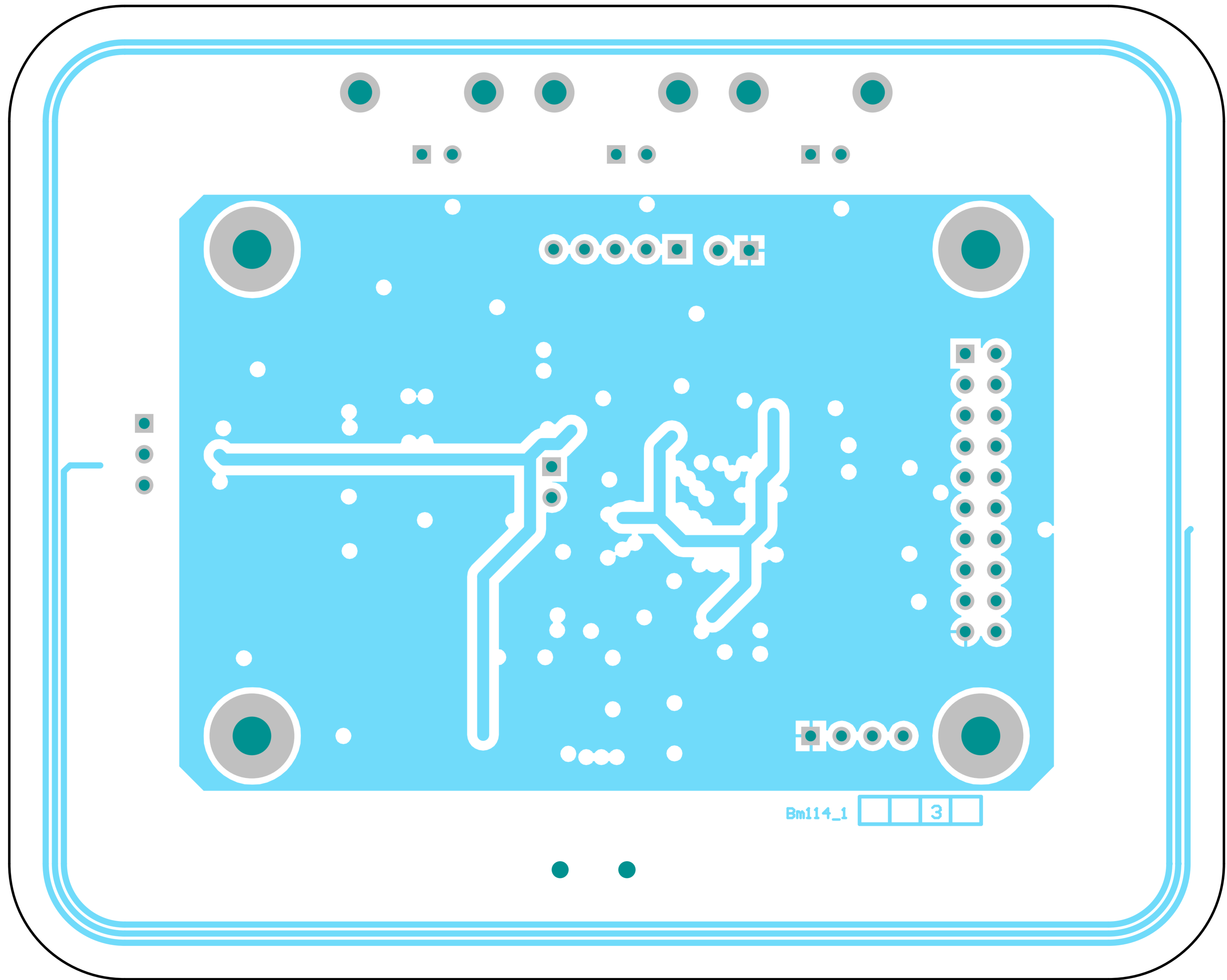
(c) 2006 Bitmanufaktur <brita.meriac@bitmanufaktur.de>

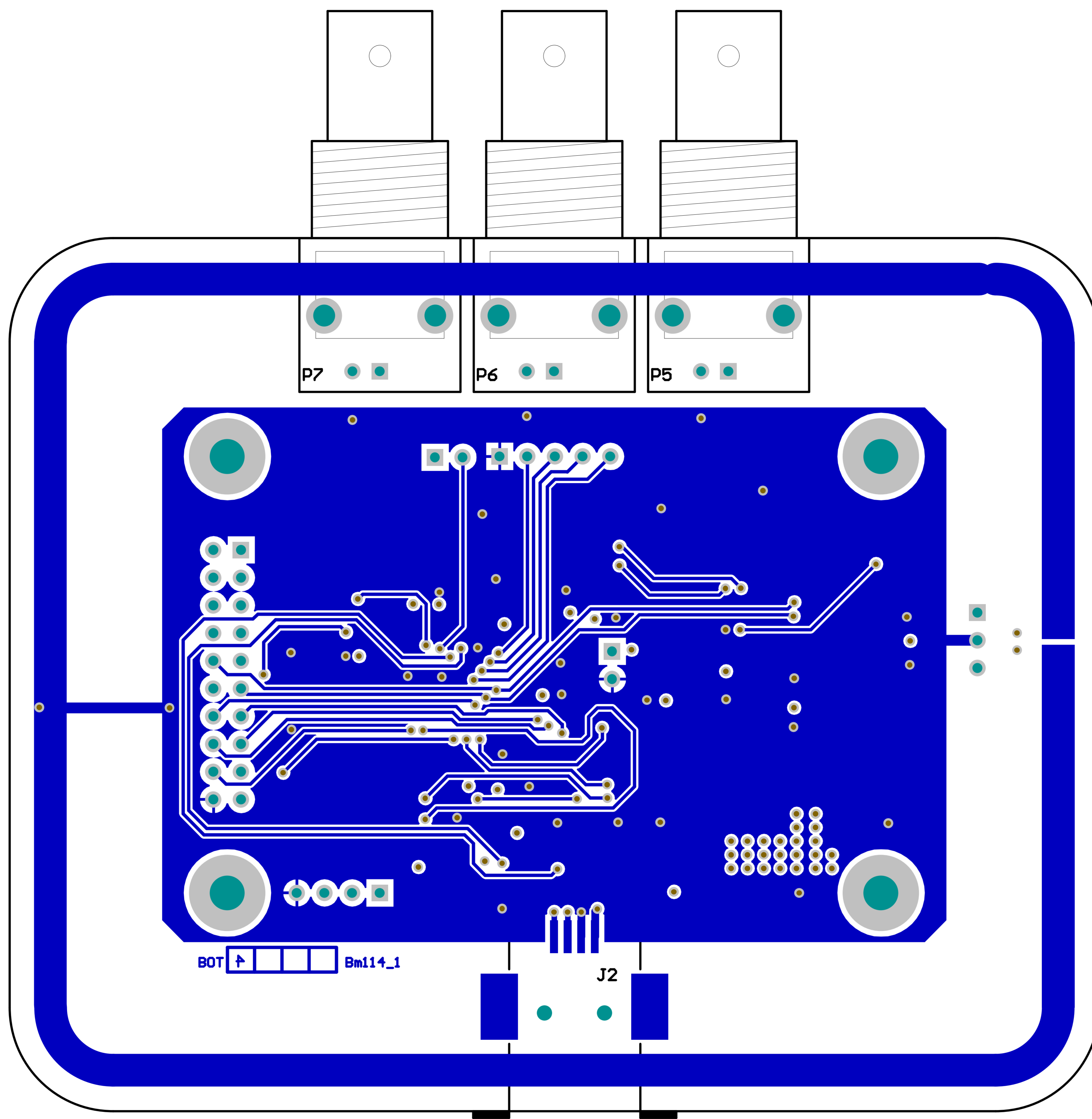
| | | | | | |
|---------|---|--|--|--|-----|
| Bm114_1 | 1 | | | | TOP |
|---------|---|--|--|--|-----|



Bm114_1

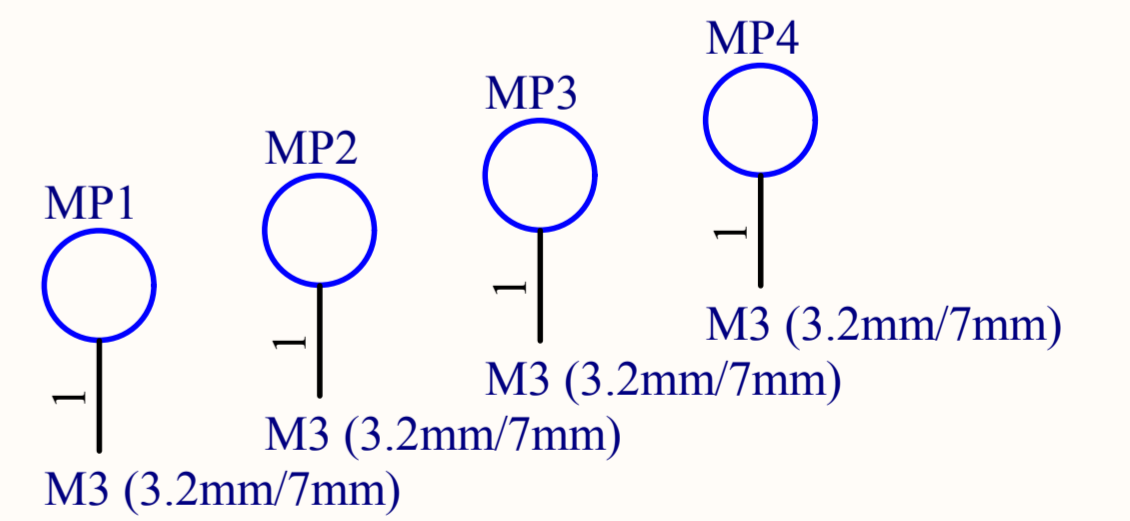
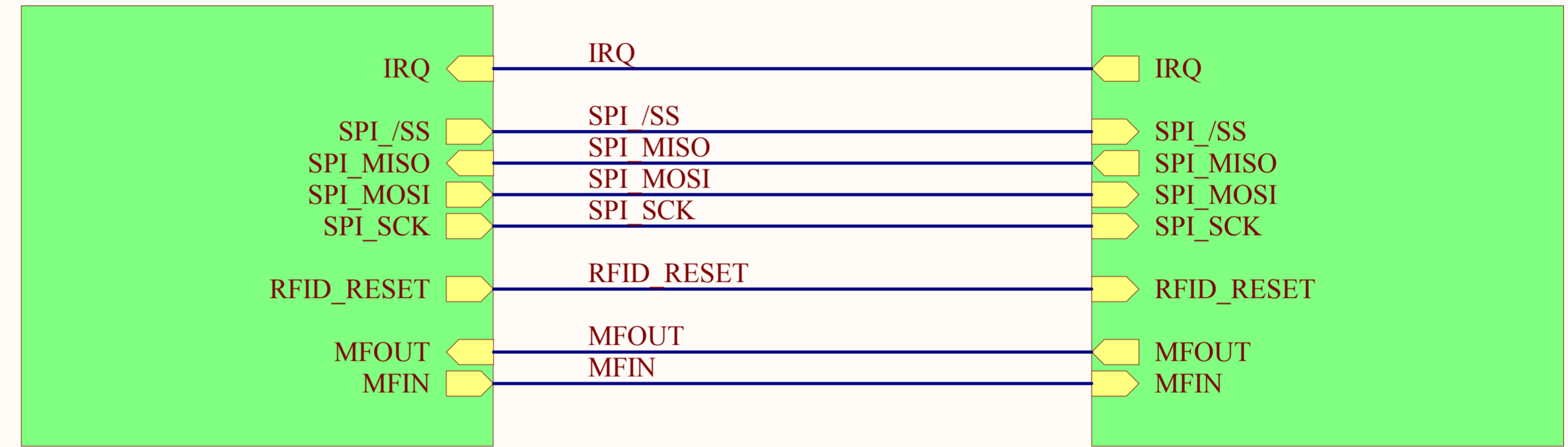
| | | |
|--|---|--|
| | 2 | |
|--|---|--|




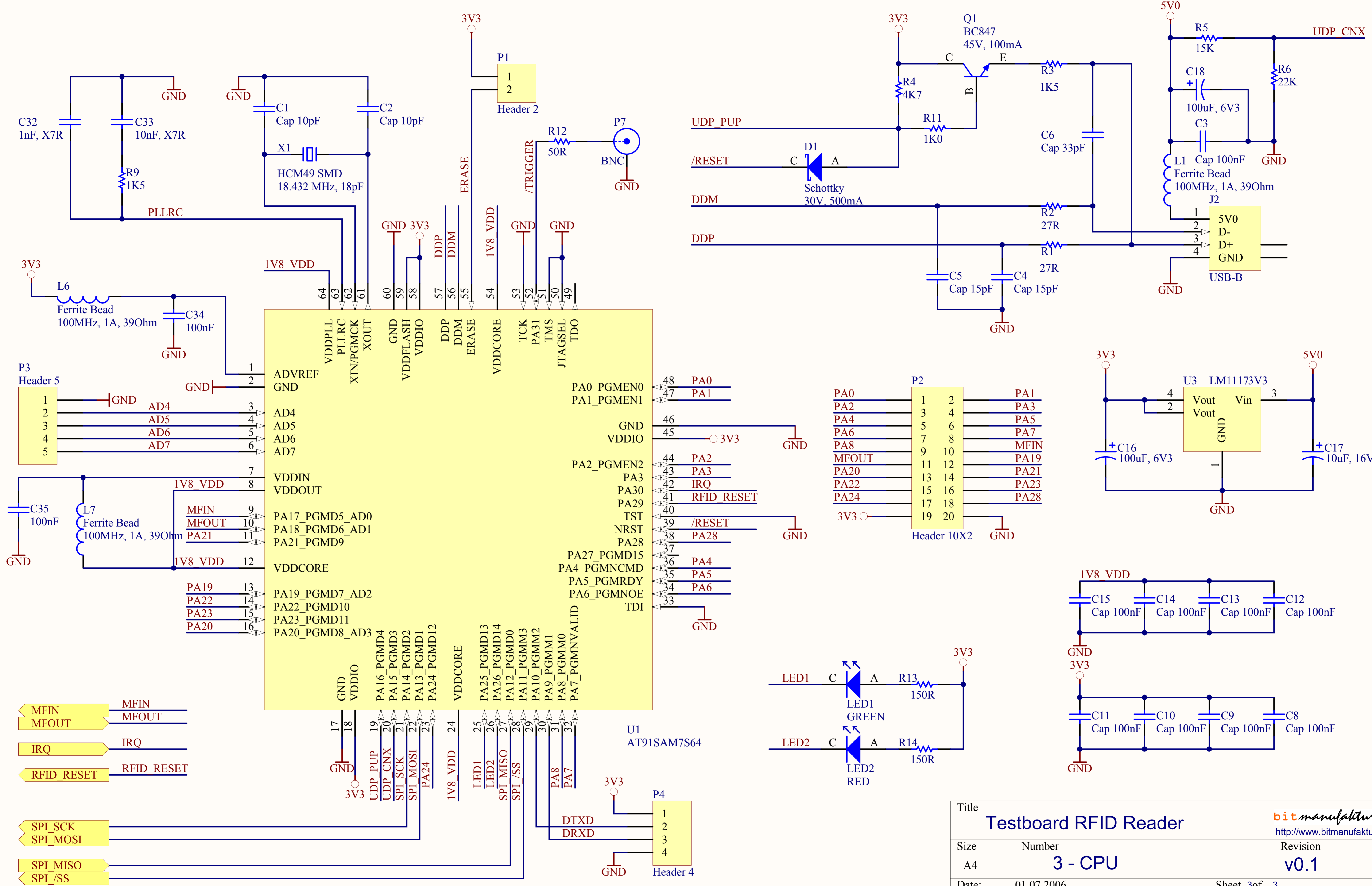


U_CPU
CPU.SchDoc

U_READ
READ.SchDoc



| | | | | | |
|-------|----------------------------|------------------------------|-----------------------------------|--|--|
| Title | | Testboard RFID Reader | |  http://www.bitmanufaktur.de | |
| Size | Number | | | Revision | |
| A4 | 1 - TOP | | | v0.1 | |
| Date: | 01.07.2006 | | Sheet 1 of 3 | | |
| File: | H:\Projekte\...\TOP.SchDoc | | Drawn By: Dipl.-Ing. Brita Meriac | | |



| | | | | | |
|-------|---------------------------|-----------------------|-------------------------|--|----------|
| Title | | Testboard RFID Reader | | bitmanufaktur http://www.bitmanufaktur.de | |
| Size | A4 | Number | 3 - CPU | | Revision |
| Date: | 01.07.2006 | Sheet 3 of | 3 | | v0.1 |
| File: | H:\Projekte\...CPU.SchDoc | Drawn By: | Dipl.-Ing. Brita Meriac | | |

