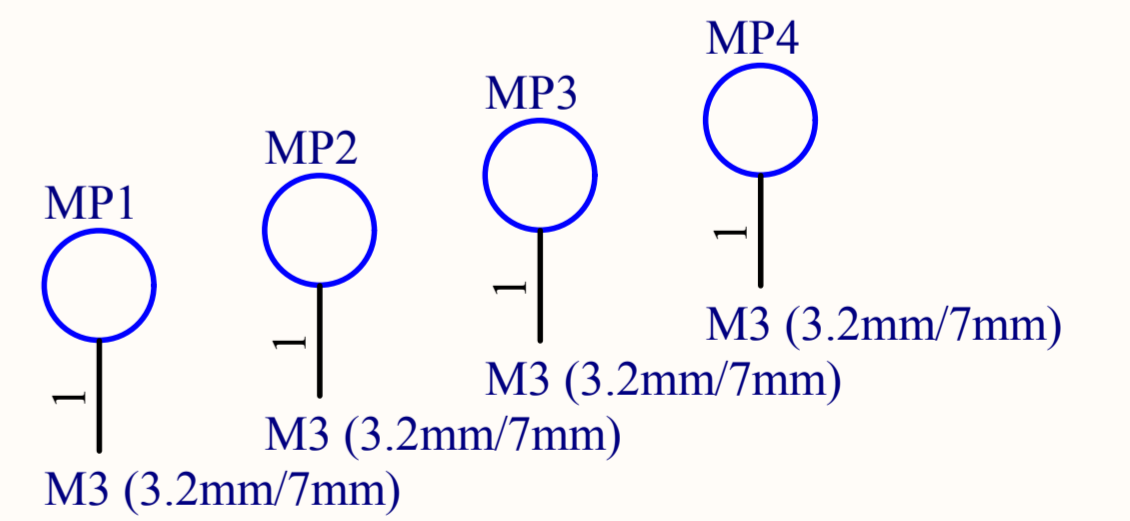
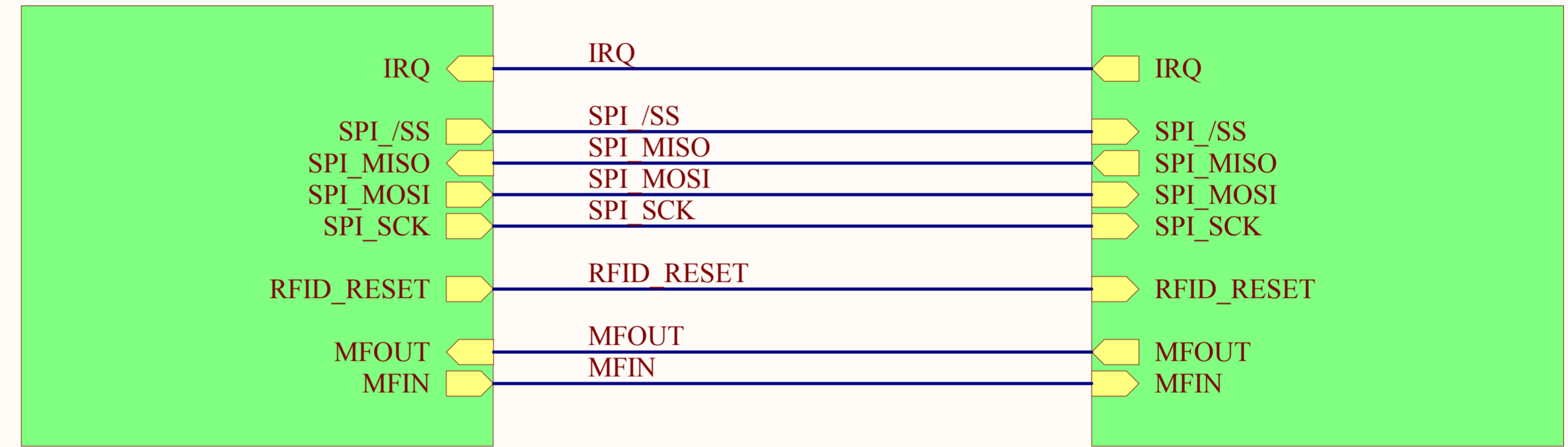

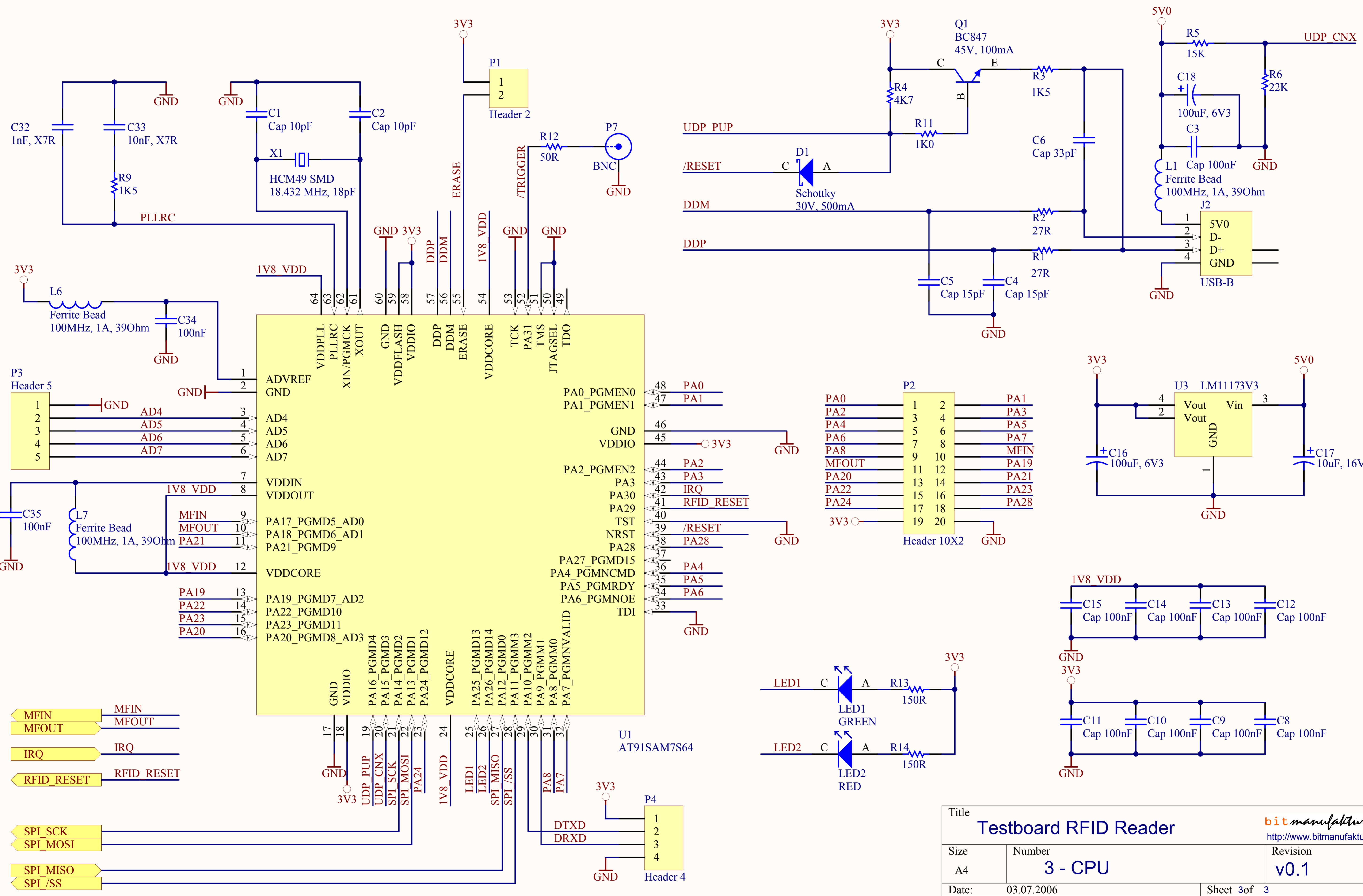


U_CPU
CPU.SchDoc

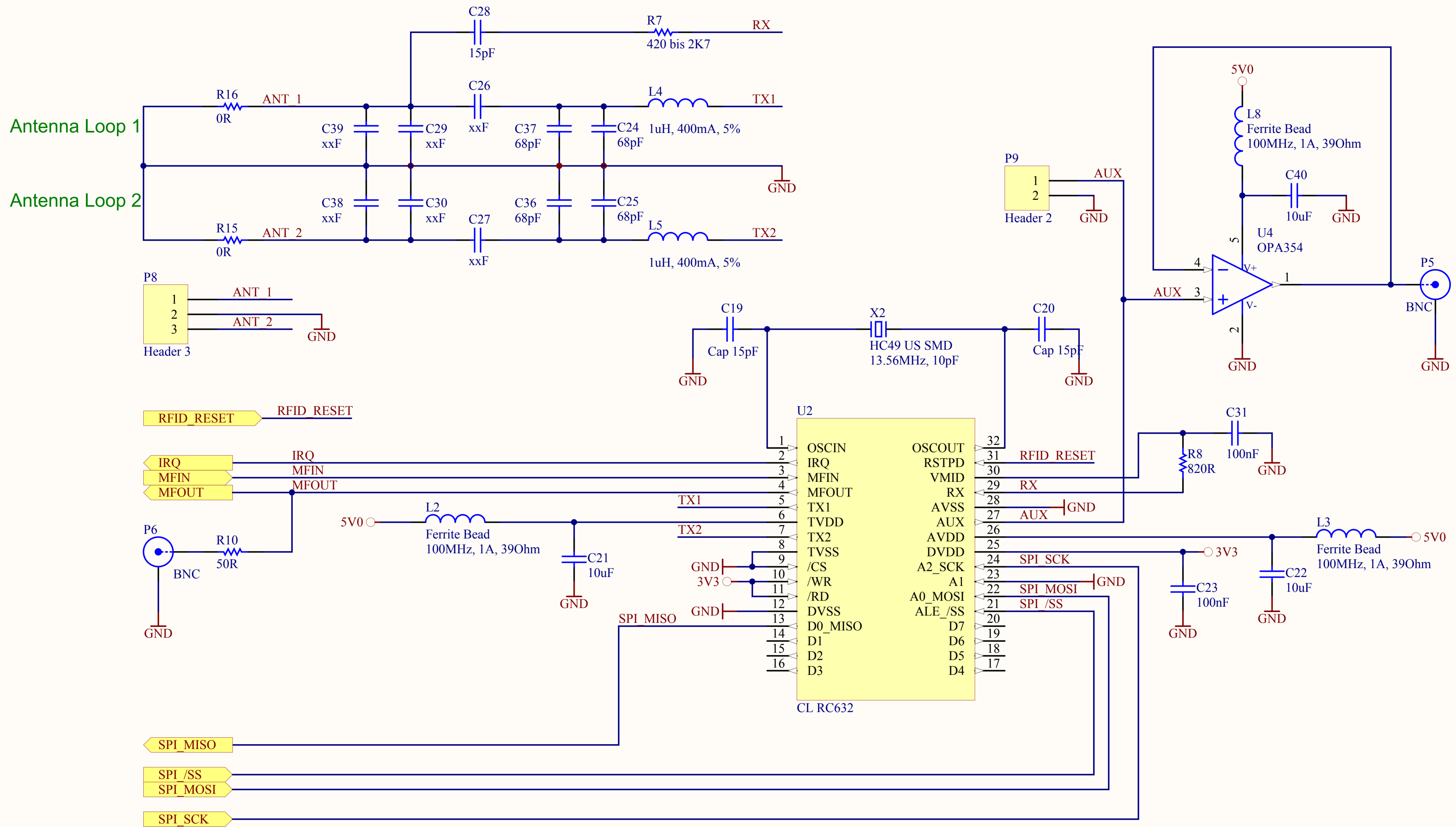
U_READ
READ.SchDoc



Title		Testboard RFID Reader		 http://www.bitmanufaktur.de	
Size	A4	Number	1 - TOP	Revision	v0.1
Date:	03.07.2006	Sheet 1 of	3	Drawn By:	Dipl.-Ing. Brita Meriac
File:	H:\Projekte\...\TOP.SchDoc			Drawn By:	Dipl.-Ing. Brita Meriac



Title		Testboard RFID Reader		bitmanufaktur http://www.bitmanufaktur.de	
Size	A4	Number	3 - CPU		Revision
Date:	03.07.2006	Sheet 3 of	3		v0.1
File:	H:\Projekte\...CPU.SchDoc		Drawn By:	Dipl.-Ing. Brita Meriac	



Title		Testboard RFID Reader		bit.manufaktur http://www.bitmanufaktur.de	
Size	A4	Number	2 - RFID Reader		Revision
Date:	03.07.2006	Sheet 2 of	3		v0.1
File:	H:\Projekte\..\READ.SchDoc		Drawn By:	Dipl.-Ing. Brita Meriac	