
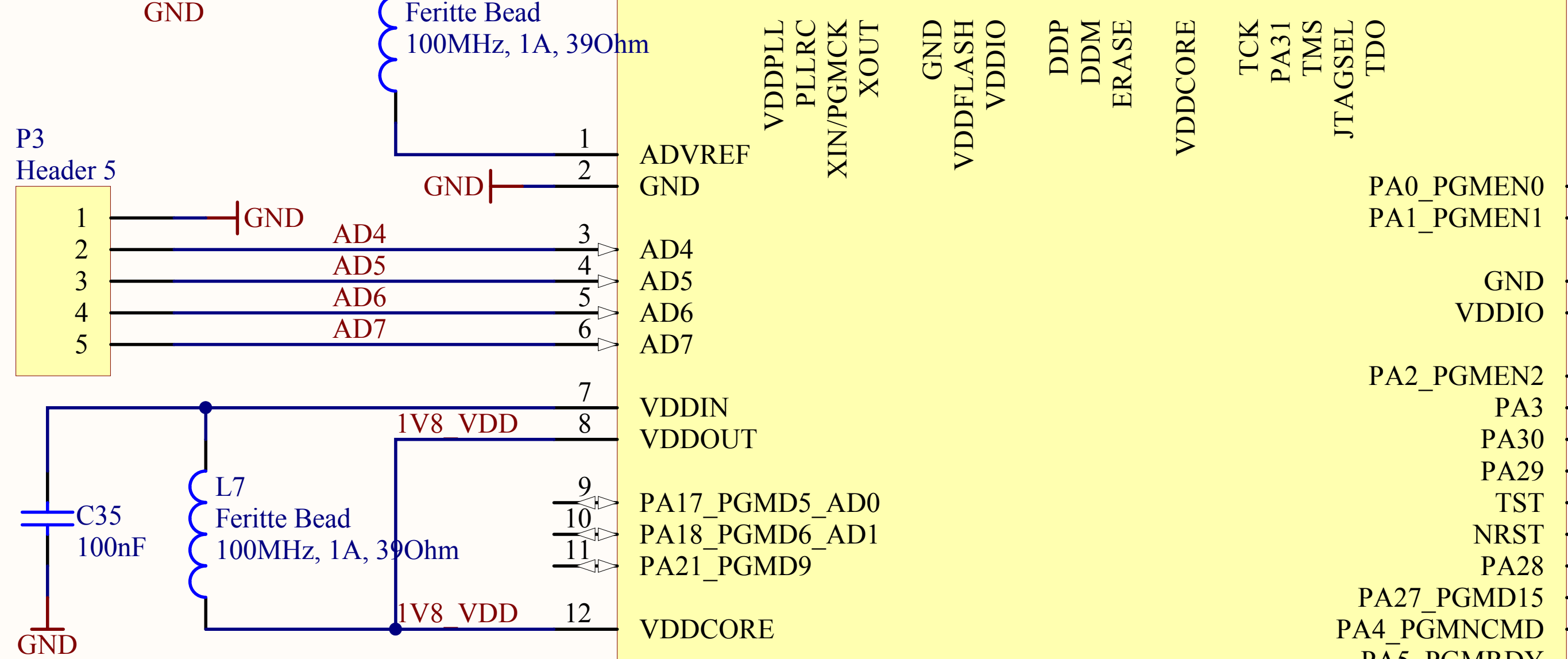
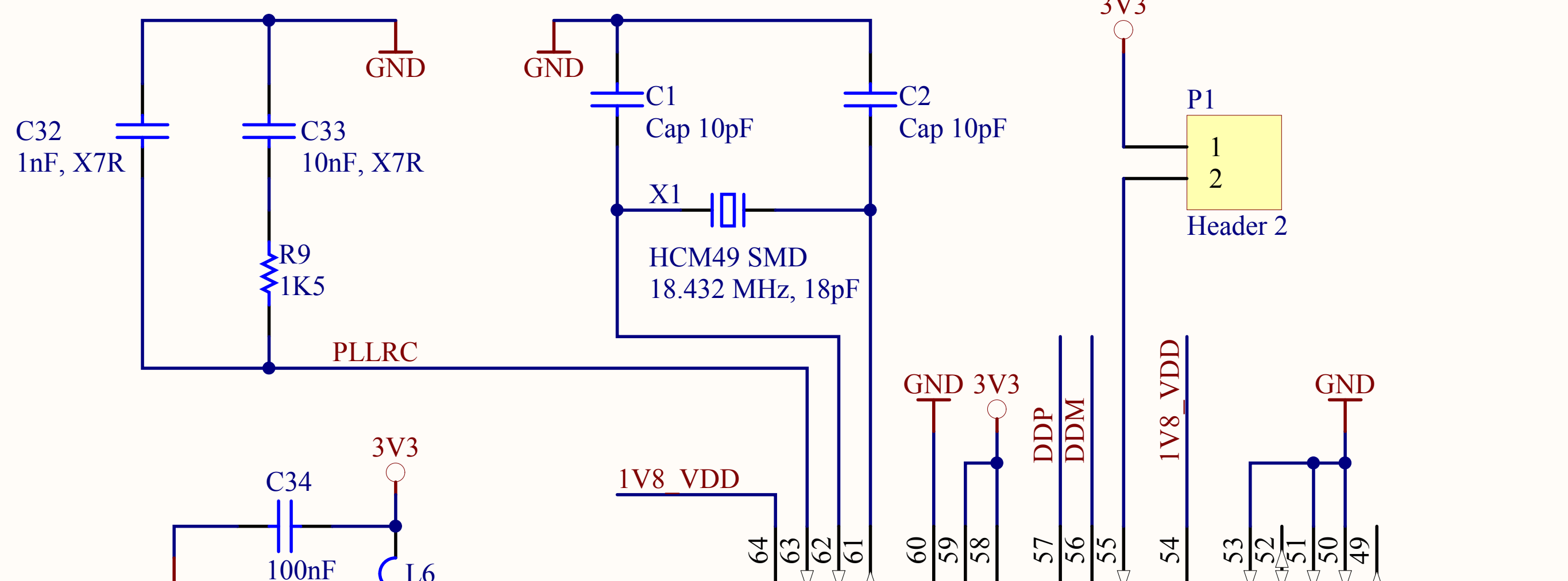
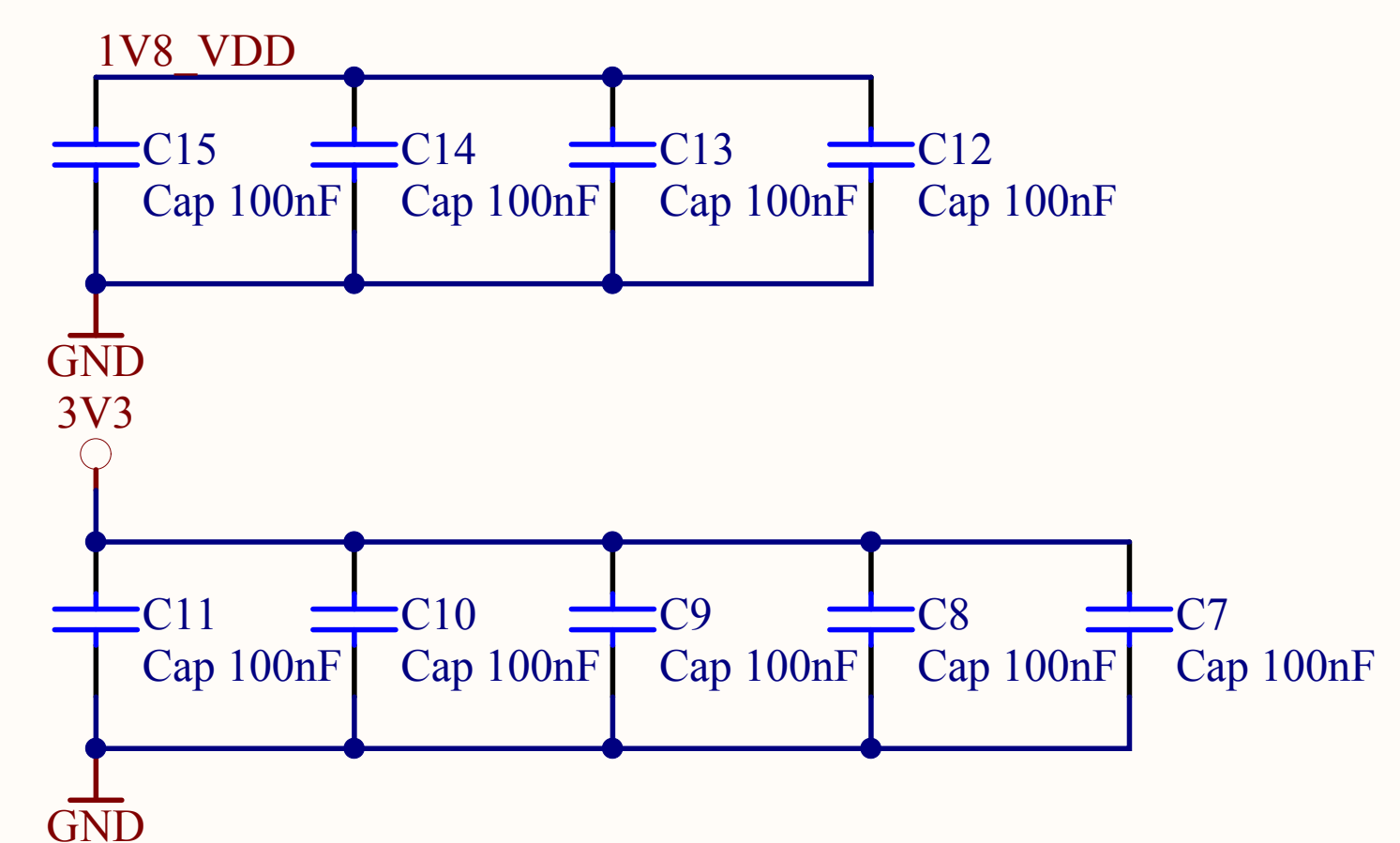
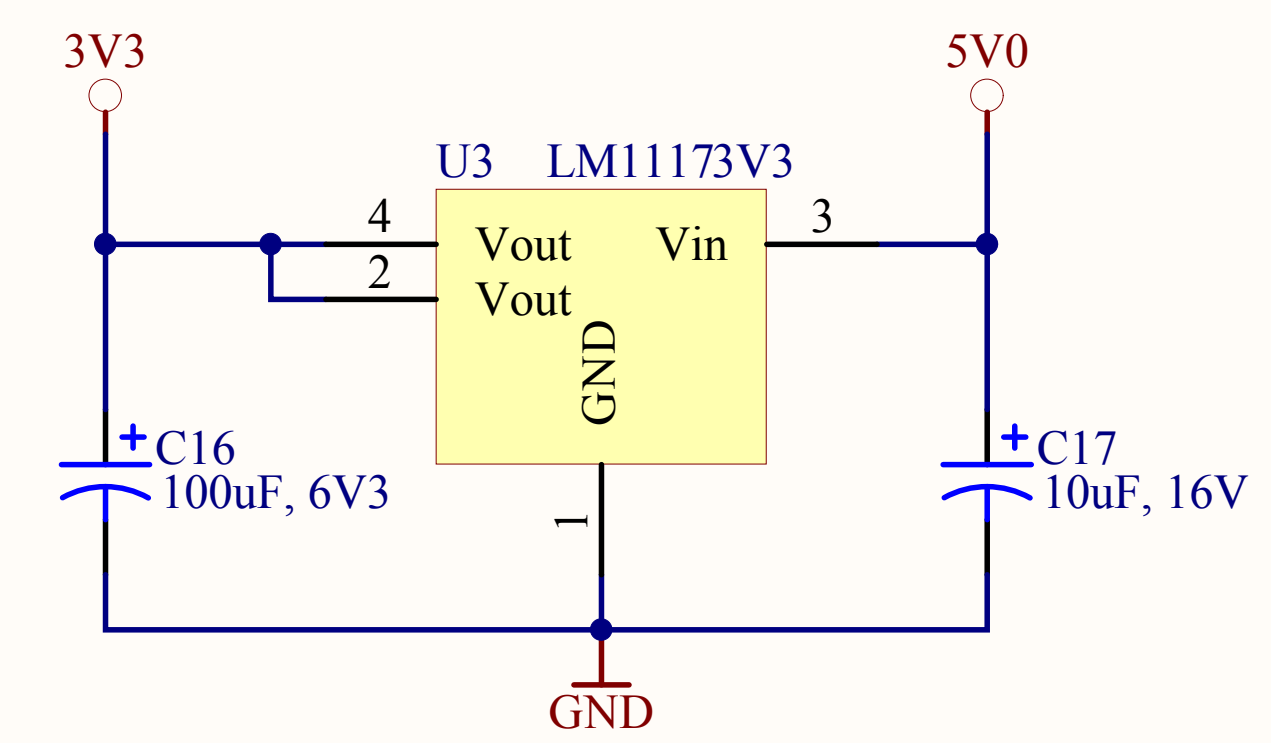
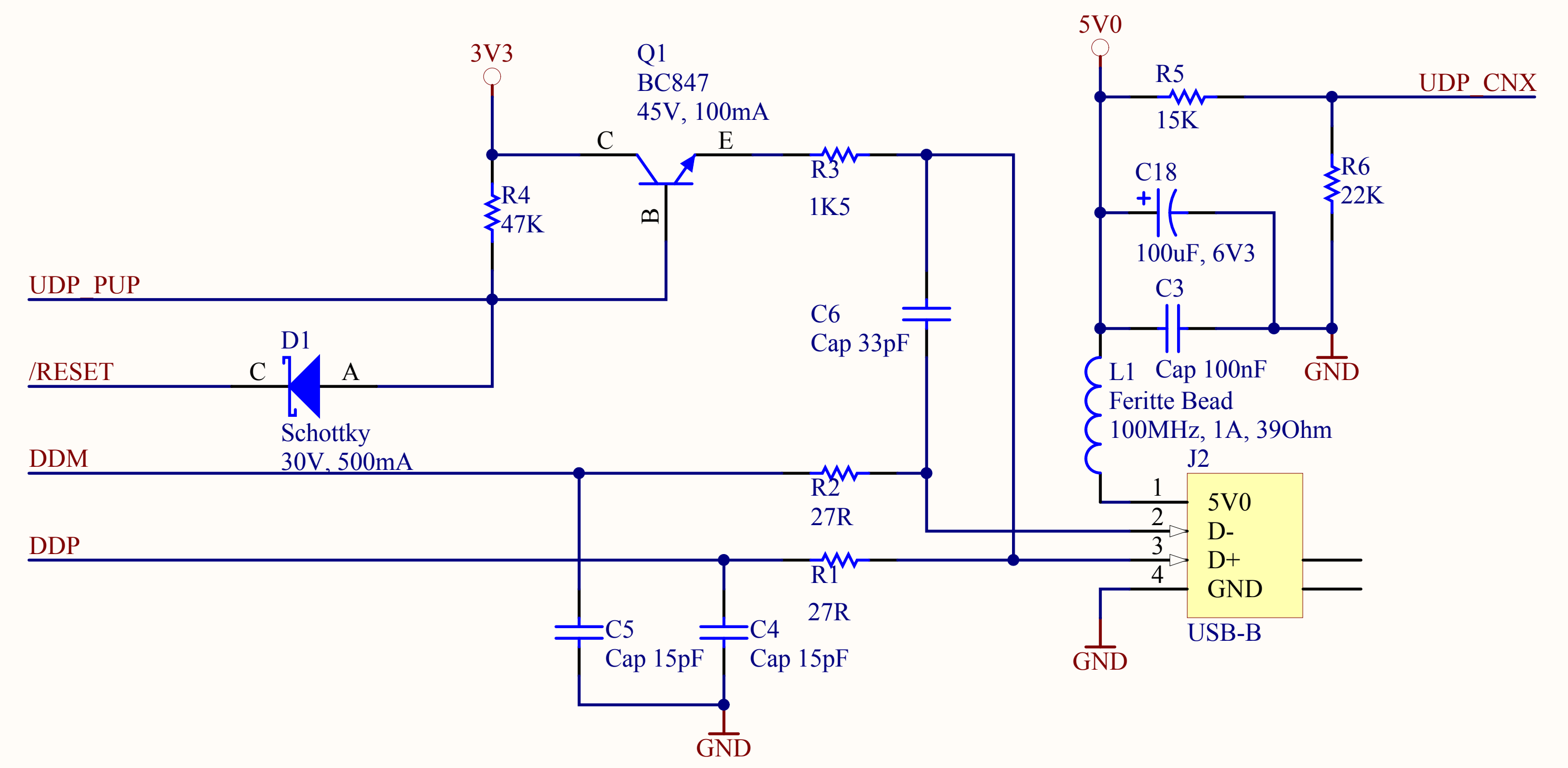
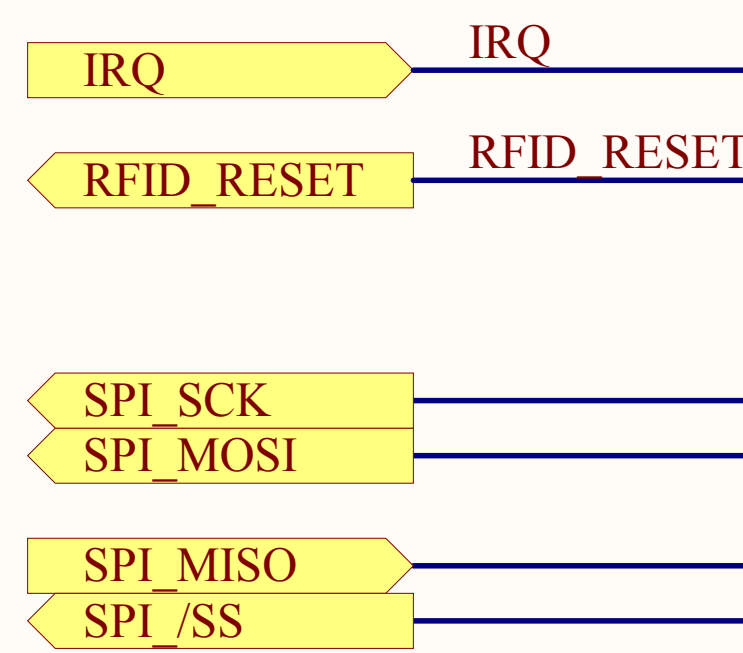


Title		<b>Testboard RFID Reader</b>		 <a href="http://www.bitmanufaktur.de">http://www.bitmanufaktur.de</a>		
Size	A4	Number	<b>1 - TOP</b>		Revision	<b>v0.1</b>
Date:	21.06.2006		Sheet 1 of	3		
File:	H:\Projekte\...\TOP.SchDoc		Drawn By:	Dipl.-Ing. Brita Meriac		



ToDo: MOSI/MISO ?

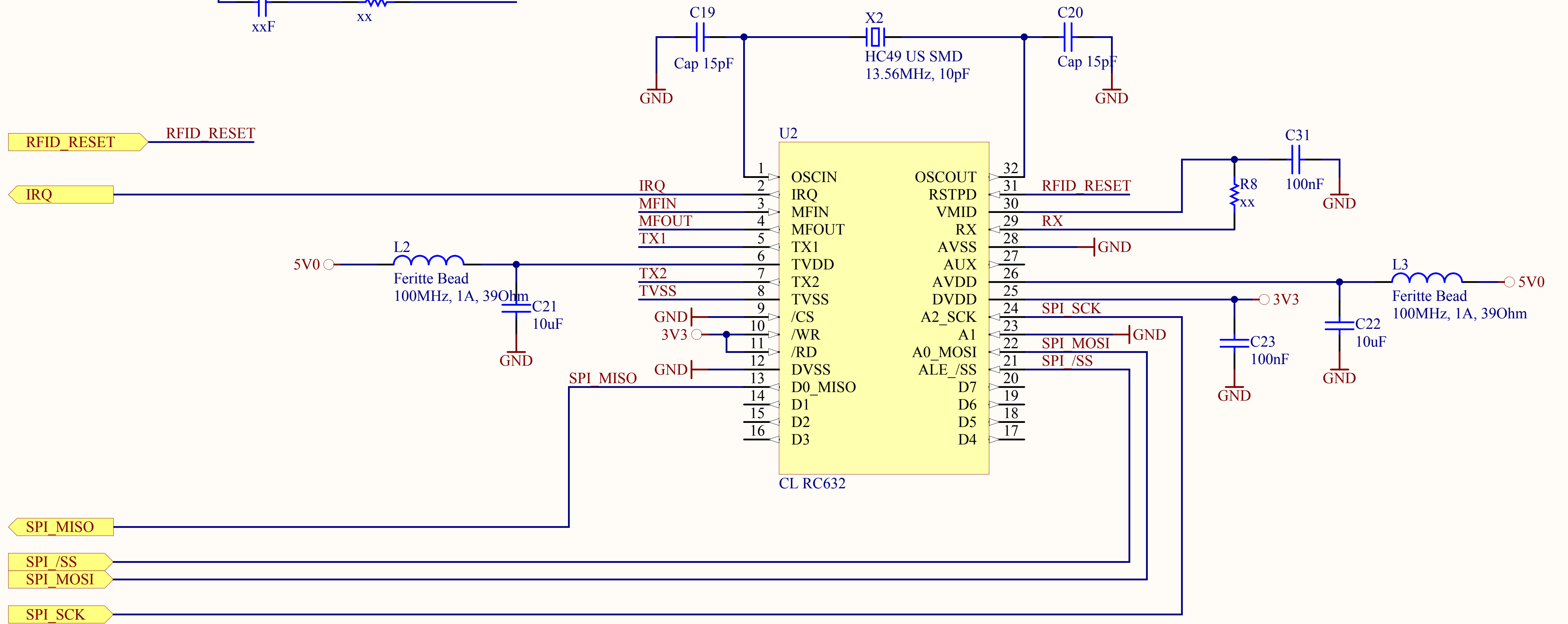
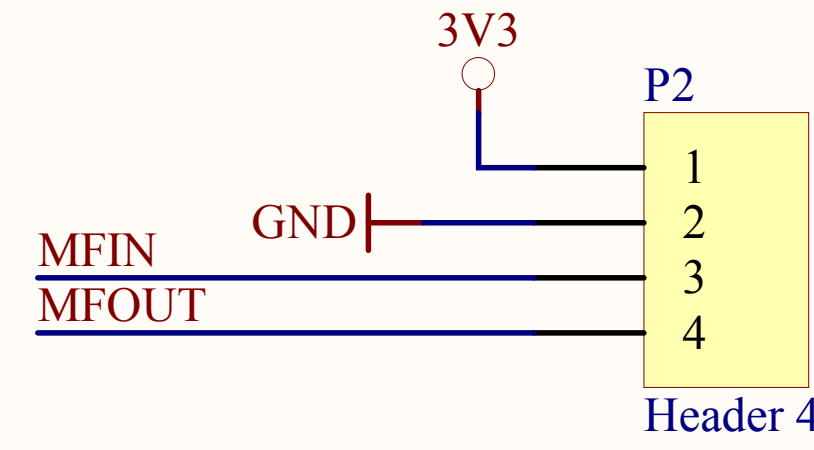
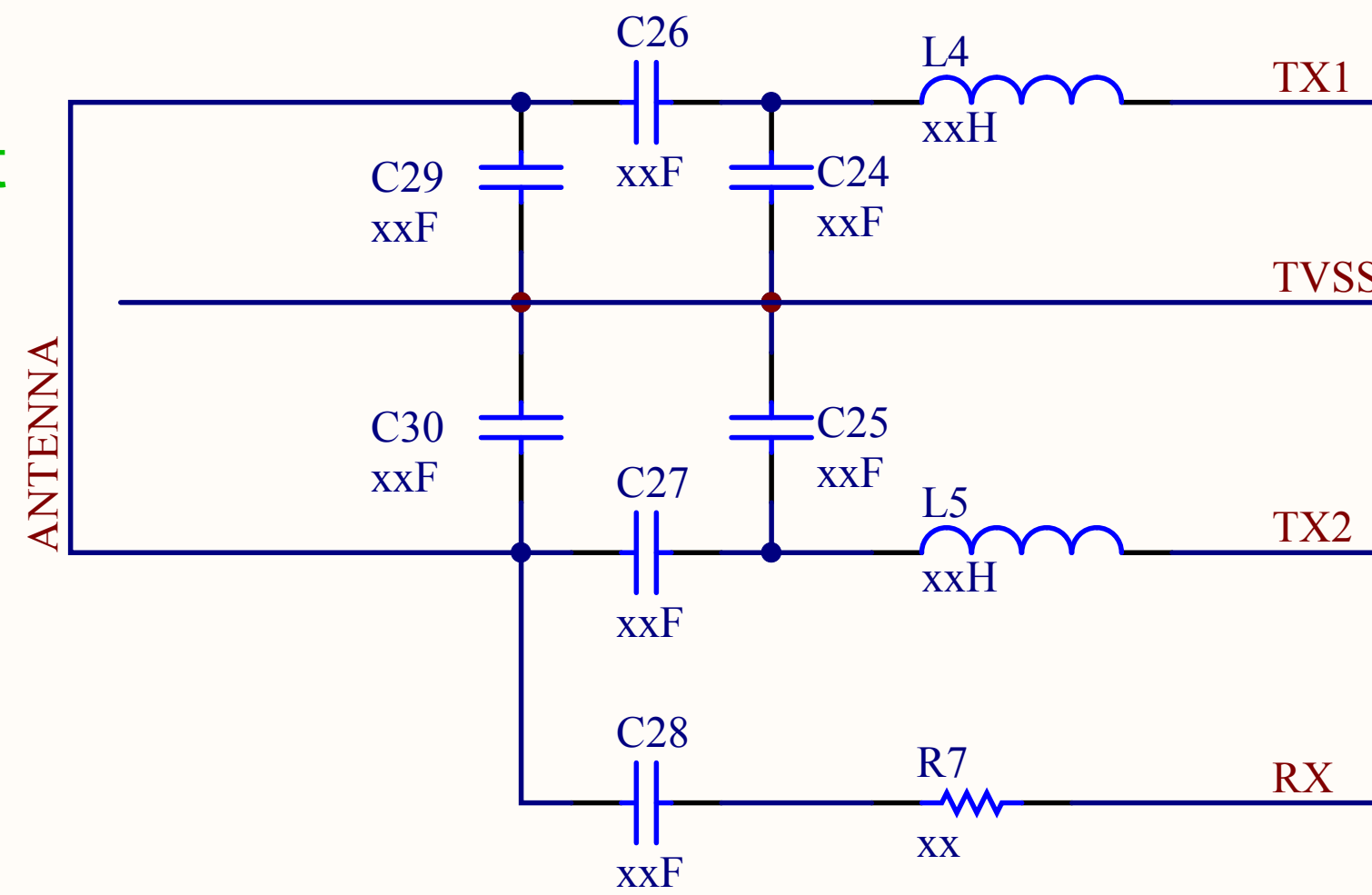
ToDo: IO-Pins to Header ?




Title		Testboard RFID Reader		bitmanufaktur http://www.bitmanufaktur.de	
Size	A4	Number	3 - CPU	Revision	v0.1
Date:	21.06.2006	Sheet 3 of	3	Drawn By:	Dipl.-Ing. Brita Meriac
File:	H:\Projekte\..CPU.SchDoc				

### ToDo: Antenna Configuration

### ToDo: Antenna Footprint



Title		 <a href="http://www.bitmanufaktur.de">http://www.bitmanufaktur.de</a>
Testboard RFID Reader		
Size	Number	Revision
A4	2 - RFID Reader	v0.1
Date:	21.06.2006	Sheet 2 of 3
File:	H:\Projekte\..\READ.SchDoc	Drawn By: Dipl.-Ing. Brita Meriac