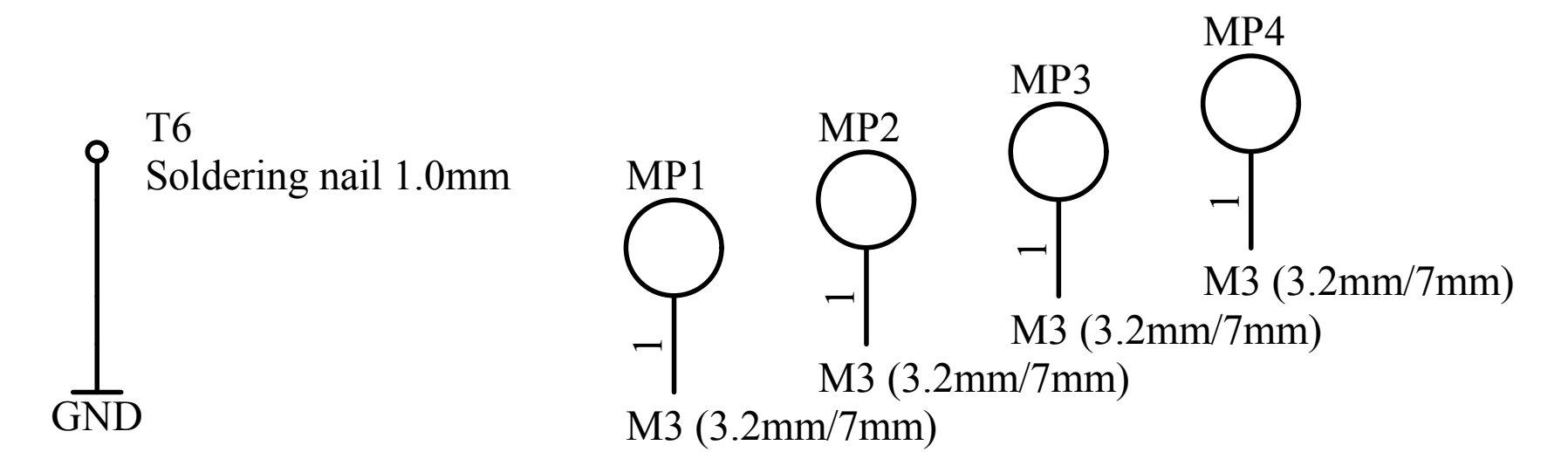
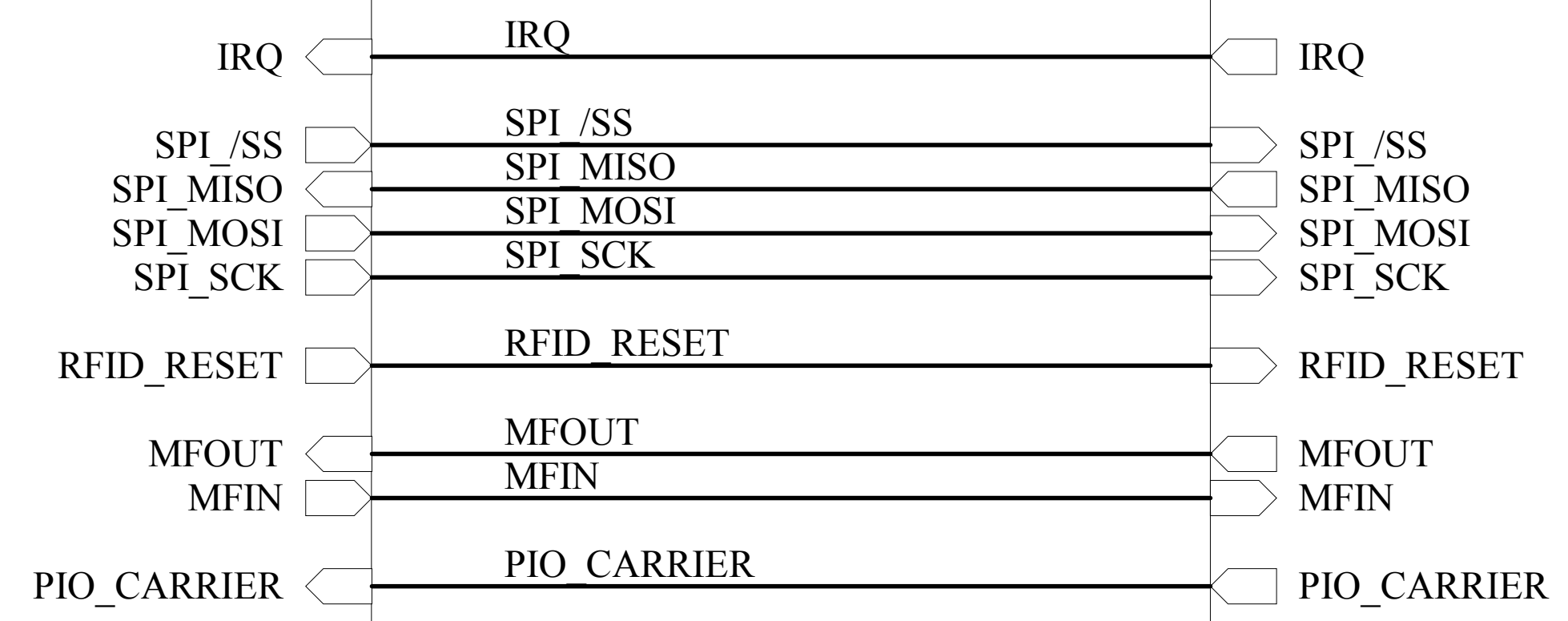

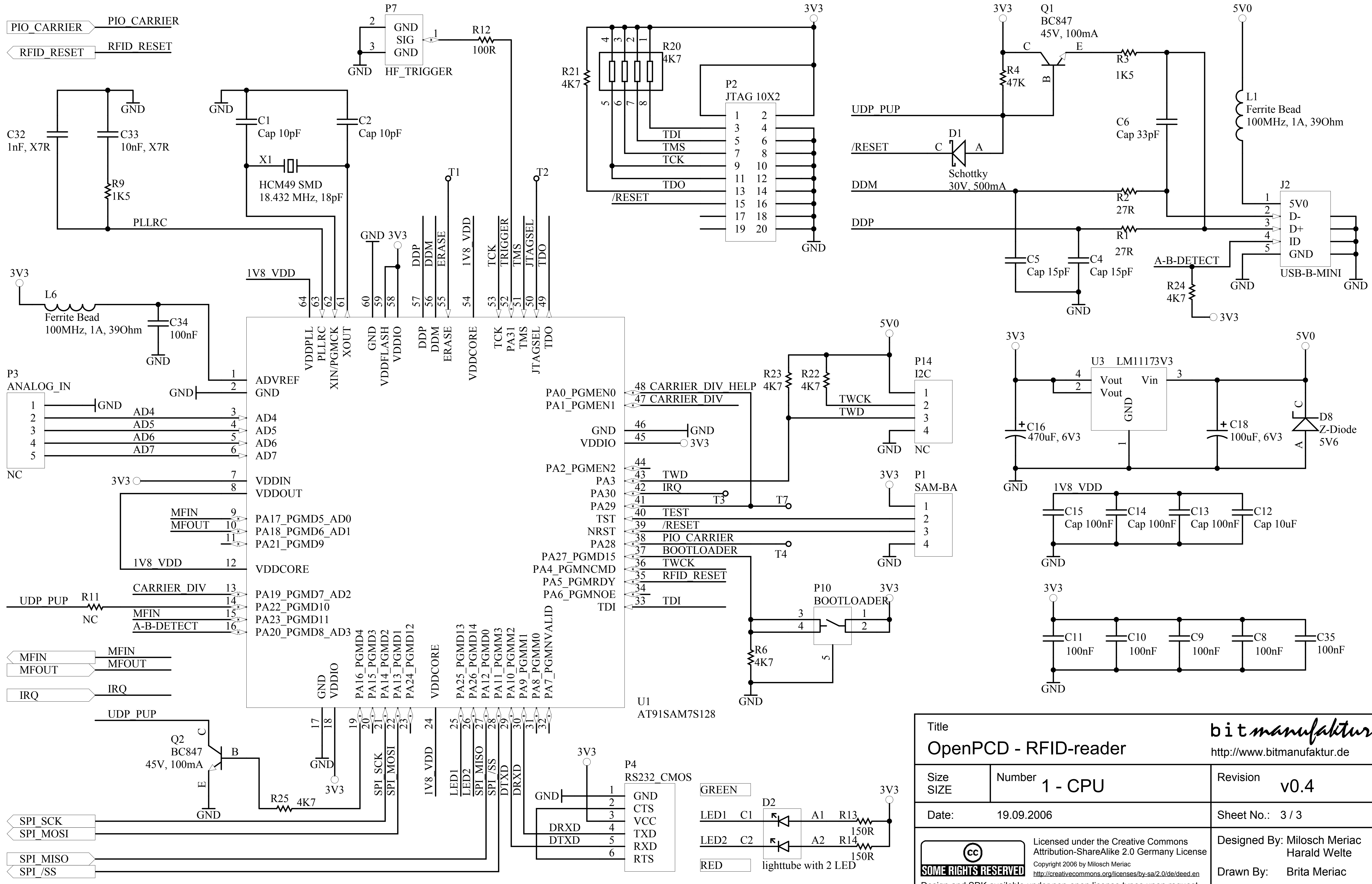


U_CPU
CPU.SchDoc

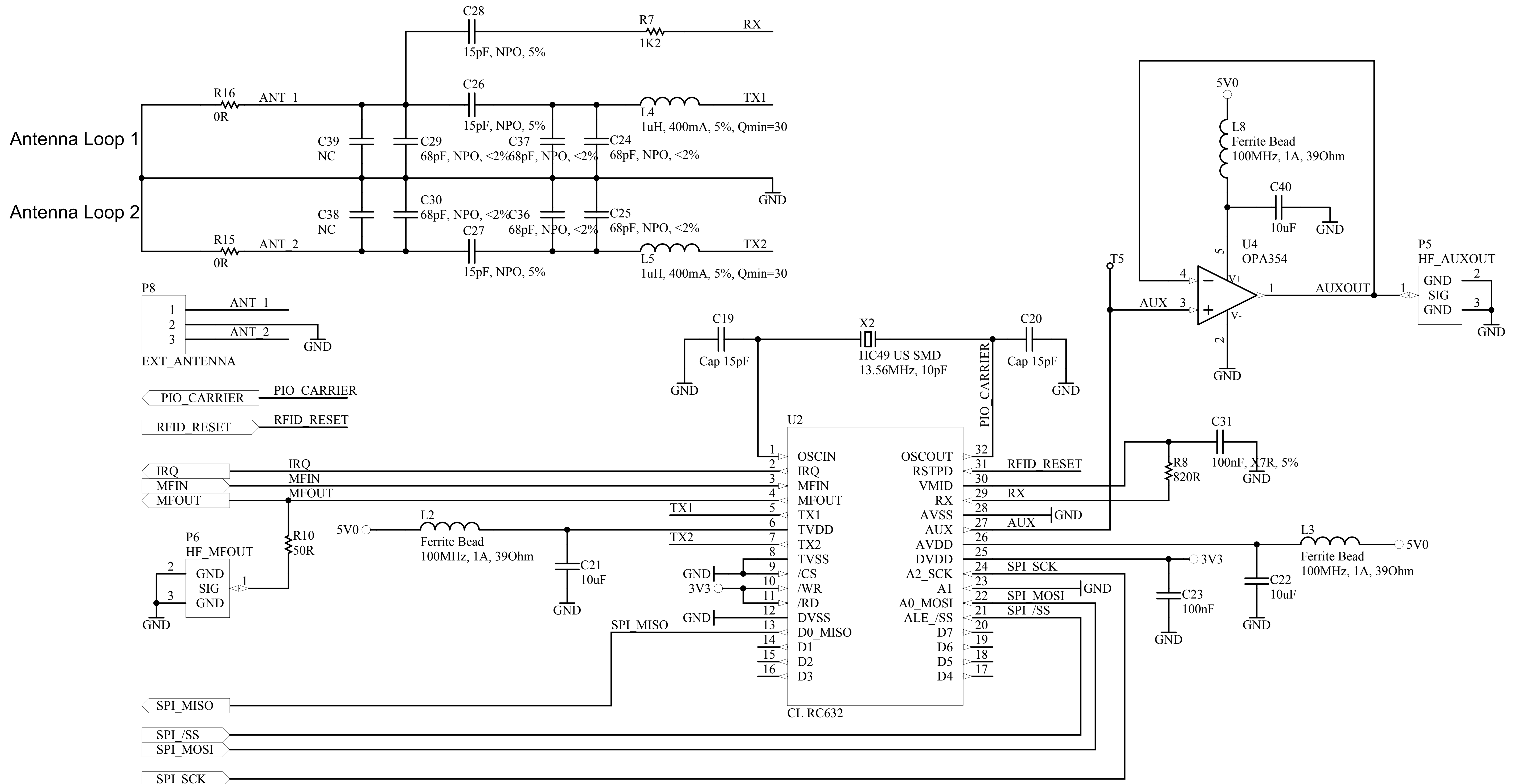
U_READ
READ.SchDoc





Title		bit manufaktur	
OpenPCD - RFID-reader		http://www.bitmanufaktur.de	
Size SIZE	Number 1 - TOP	Revision	v0.4
Date:	19.09.2006	Sheet No.:	1 / 3
 Licensed under the Creative Commons Attribution-ShareAlike 2.0 Germany License Copyright 2006 by Milosch Meriac http://creativecommons.org/licenses/by-sa/2.0/de/deed.en Design and SDK available under non-open license types upon request		Designed By: Milosch Meriac Harald Welte Drawn By: Brita Meriac	



Title		bit manufaktur	
OpenPCD - RFID-reader		http://www.bitmanufaktur.de	
Size	Number	Revision	v0.4
SIZE	1 - CPU	Sheet No.:	3 / 3
Date:	19.09.2006	Designed By:	Milosch Meriac Harald Welte
 Licensed under the Creative Commons Attribution-ShareAlike 2.0 Germany License Copyright 2006 by Milosch Meriac http://creativecommons.org/licenses/by-sa/2.0/de/deed.en		Drawn By:	Brita Meriac
		Design and SDK available under non-open license types upon request	



Title		OpenPCD - RFID-reader		 http://www.bitmanufaktur.de		
Size	SIZE	Number	1 - READER		Revision	v0.4
Date:	19.09.2006			Sheet No.:		2 / 3
 Licensed under the Creative Commons Attribution-ShareAlike 2.0 Germany License Copyright 2006 by Milosch Meriac http://creativecommons.org/licenses/by-sa/2.0/de/deed.en Design and SDK available under non-open license types upon request		Designed By:		Milosch Meriac Harald Welte		
		Drawn By:		Brita Meriac		